

Assembly instructions:

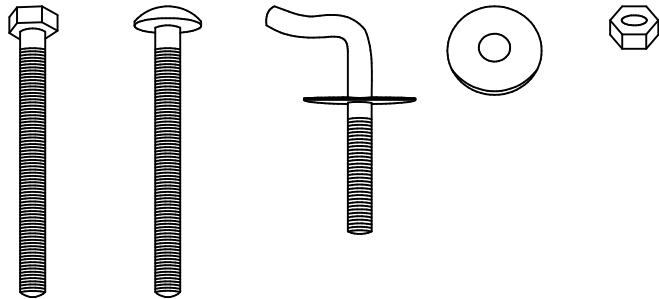
PATRICK

Elements included in the package: needed to self-assembly

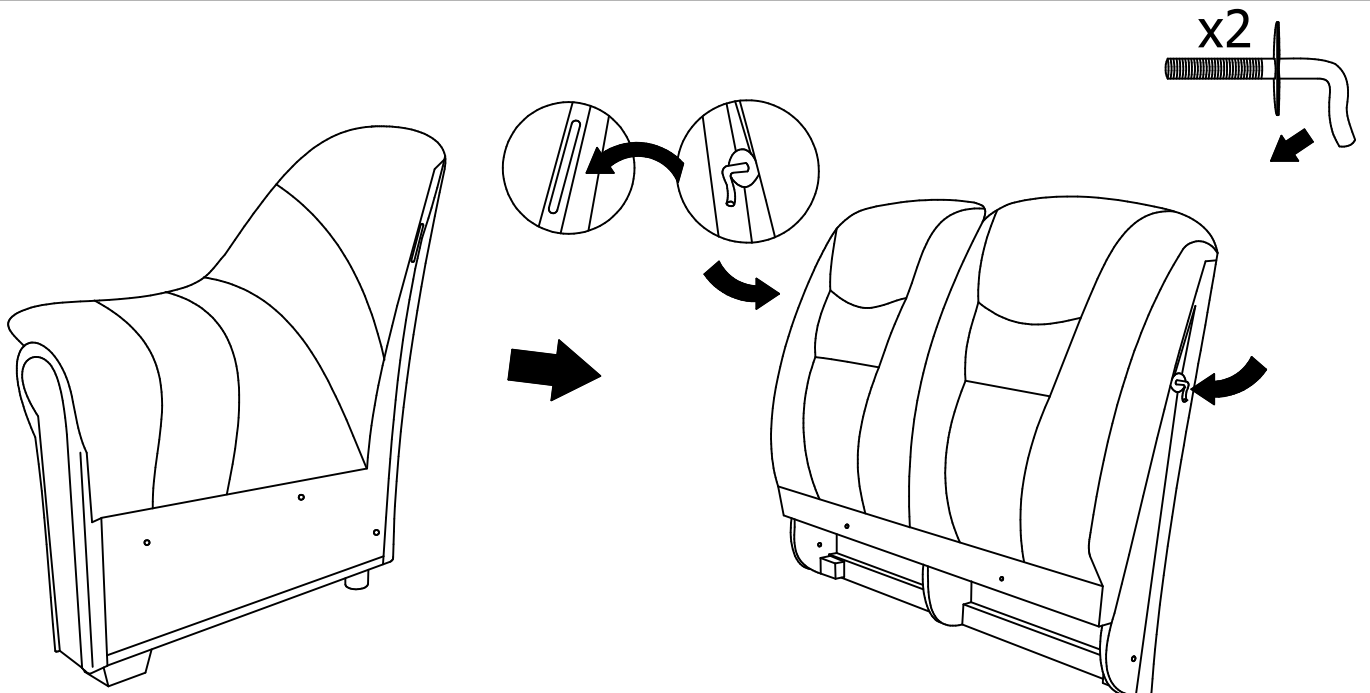
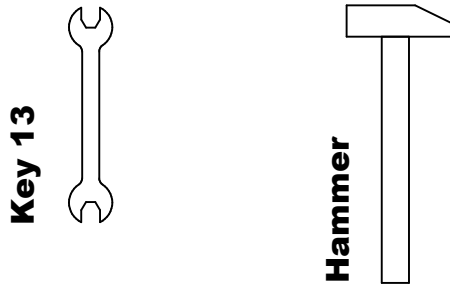
PATRICK COR x6 x5 x4 x11 x5

PATRICK 2P x6 x2 x2 x8 x2

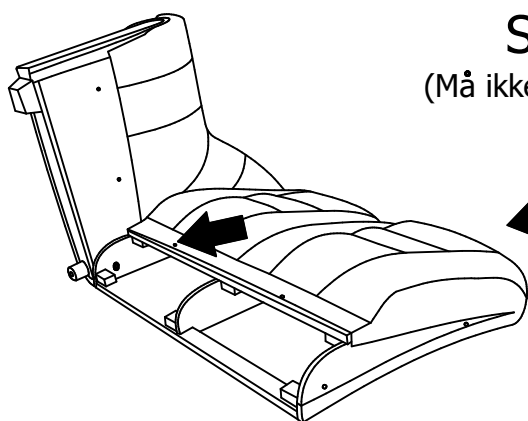
PATRICK 3P x6 x3 x2 x9 x3



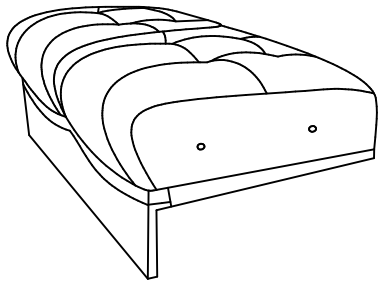
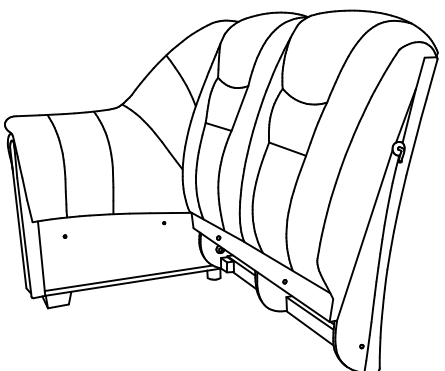
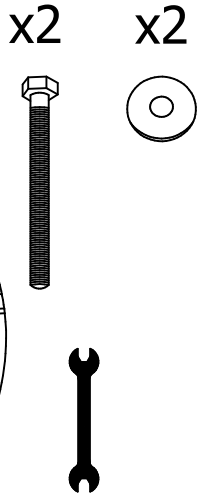
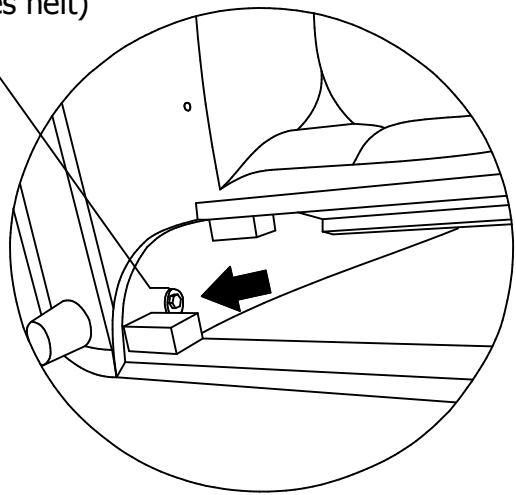
Tool needed to self-assembly: Not included in the package



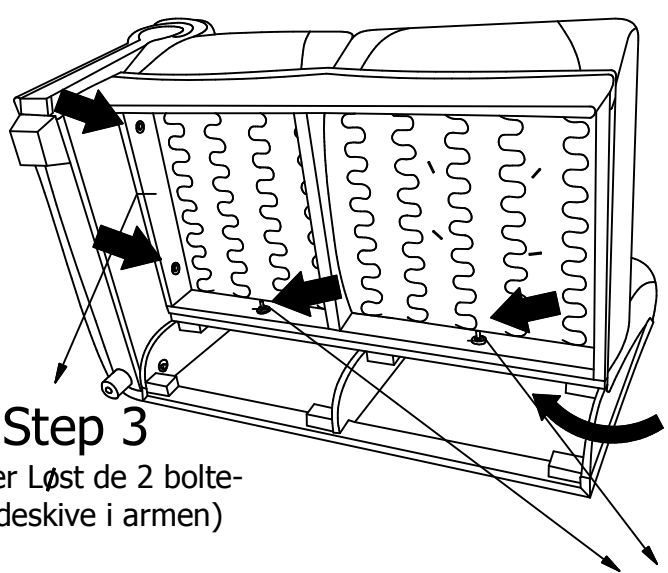
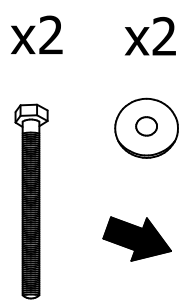
The other side (3P) is installed as a mirror image



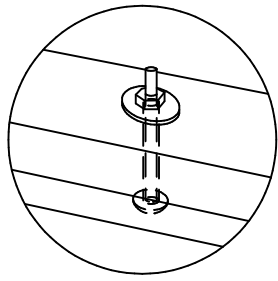
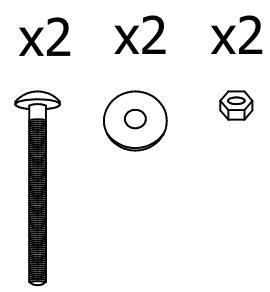
Step 1
(Må ikke spandes helt)



The other side (3P) is installed as a mirror image



Step 3
(Monter Løst de 2 bolte-spandeskeve i armen)



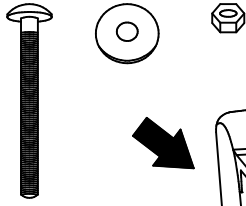
Step 2
(Monter Løst bradebolt -spoandeskeve-Møtrik)

Step 4
(Spand nu armen helt fast, der efter Ryg-bundramme sammen)

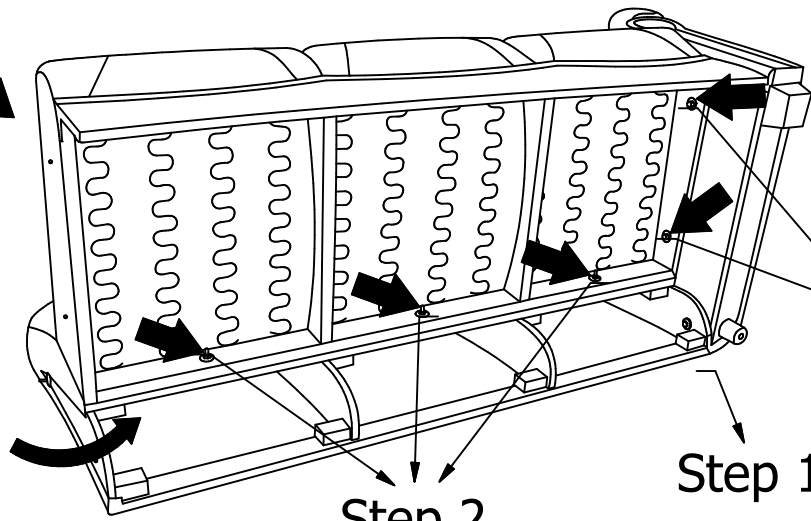
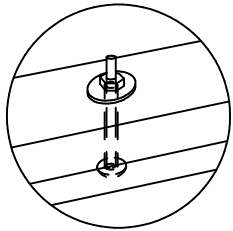
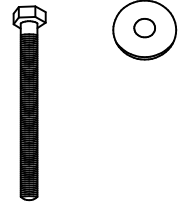




x3 x3 x3



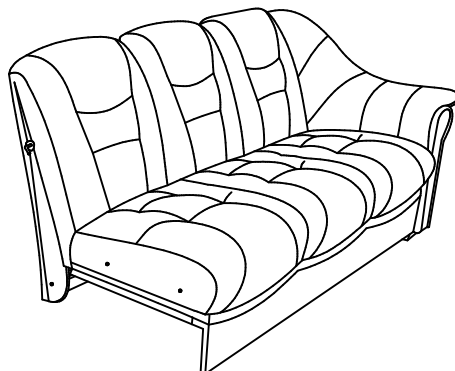
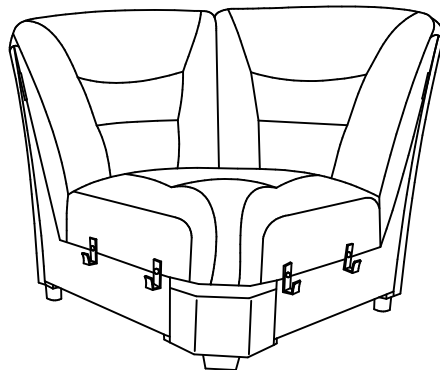
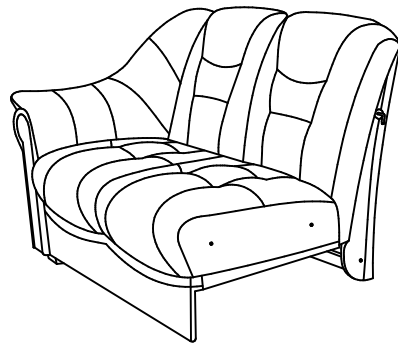
x2 x2



Step 3

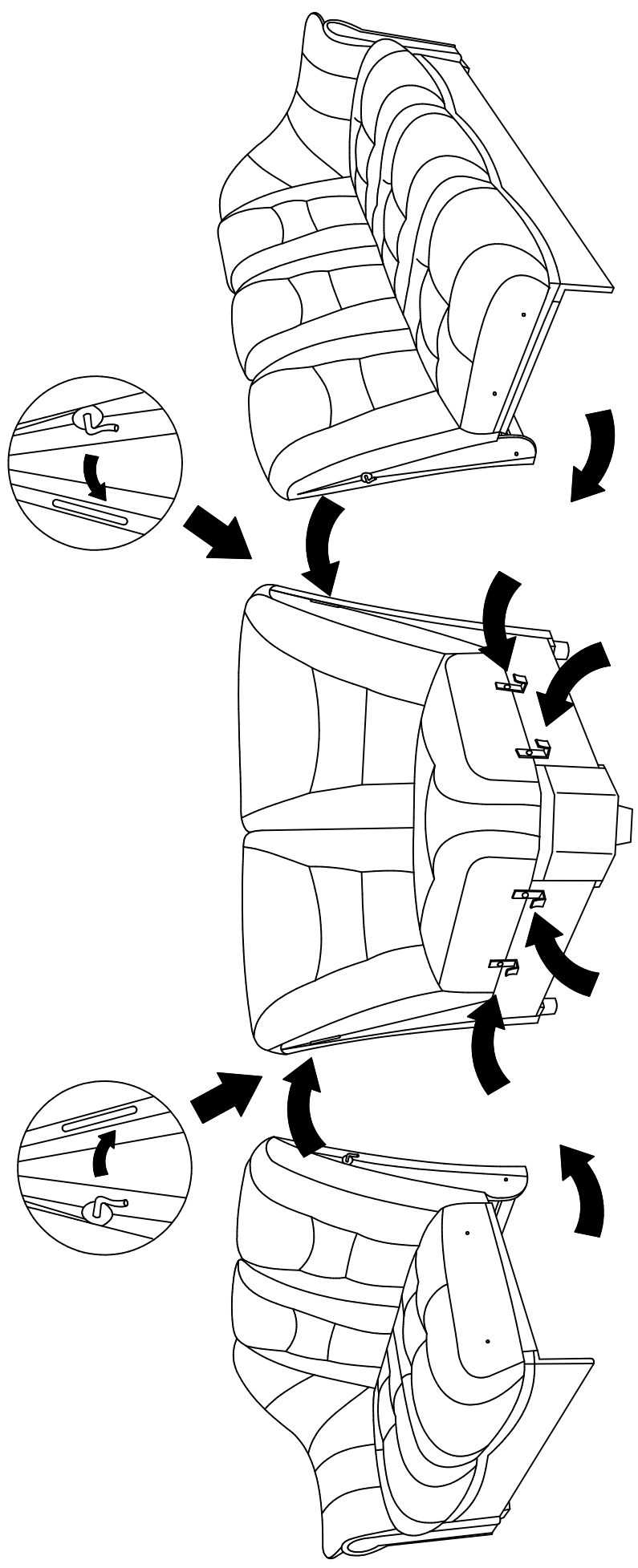
Step 1

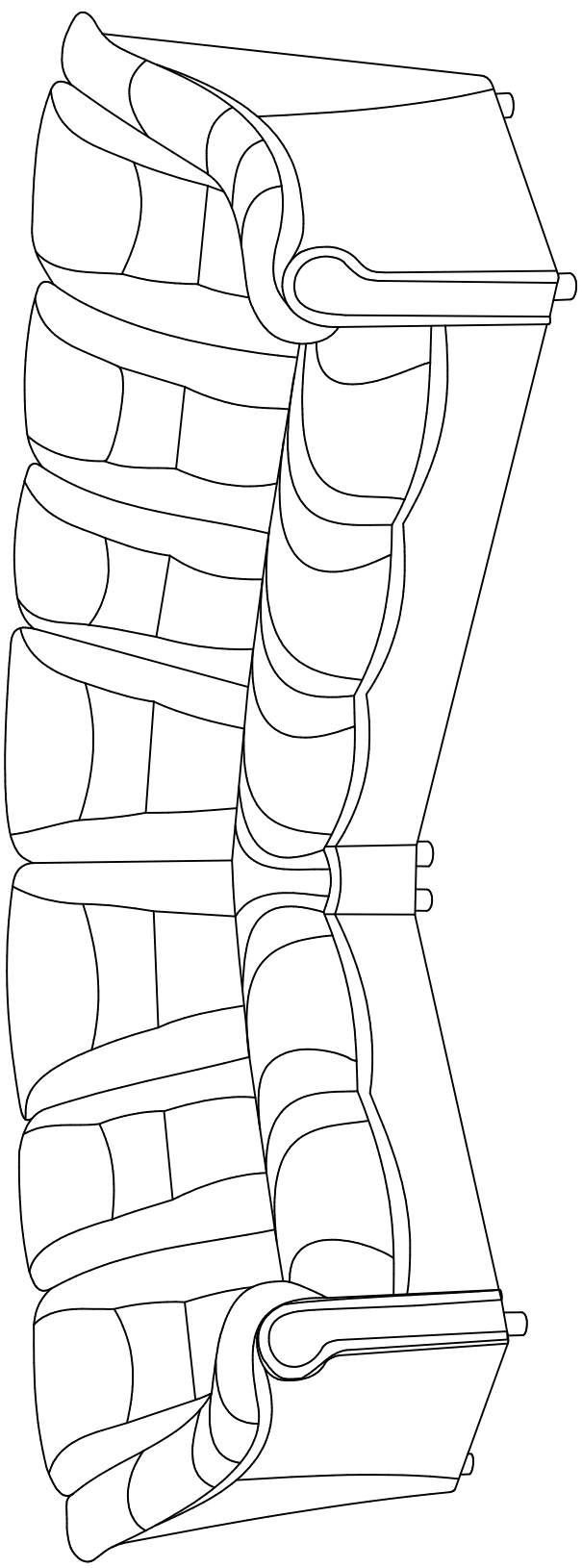
Step 2



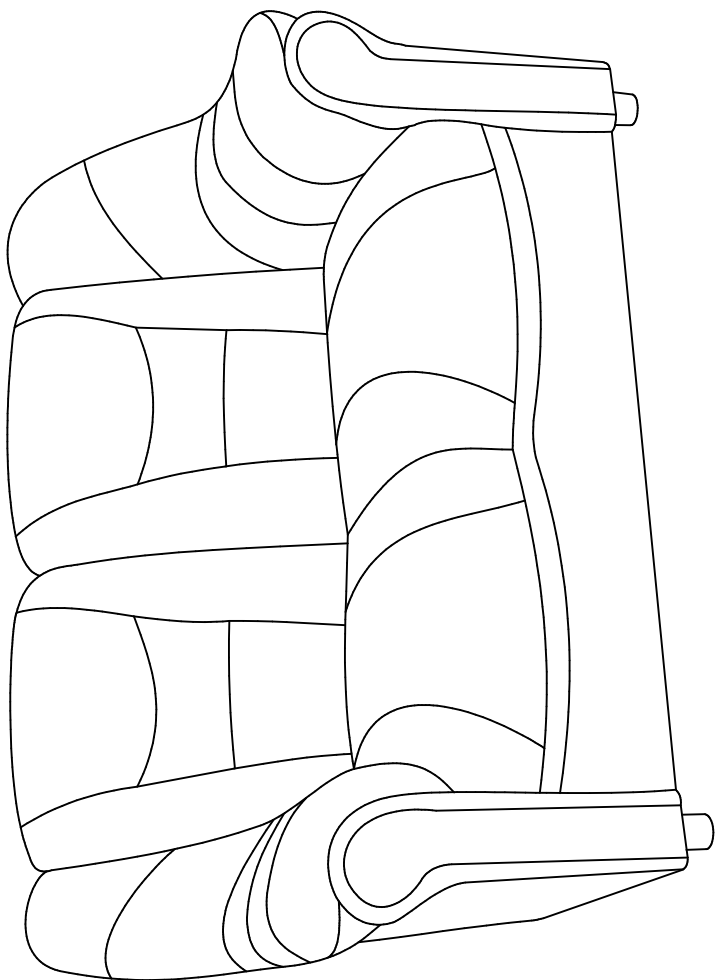
3



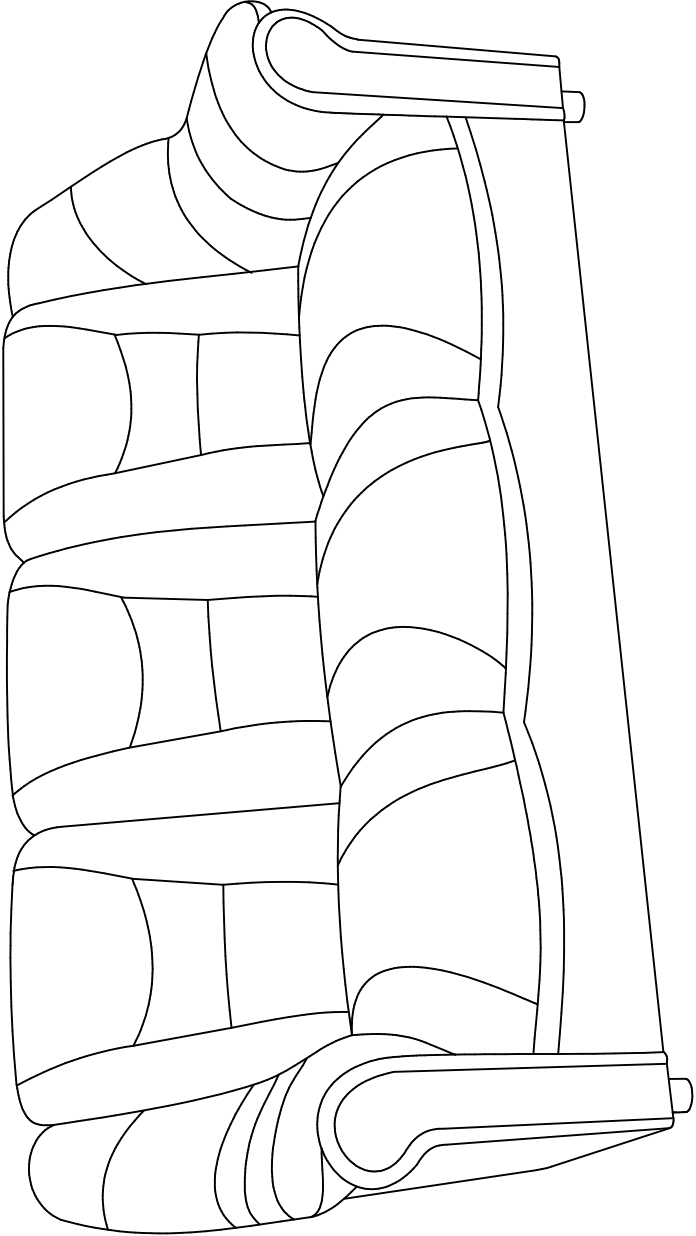




PATRICK COR



PATRICK 2P



PATRICK 3P